



N+P-channel Enhancement Mode Mosfet

CX4608

DESCRIPTION

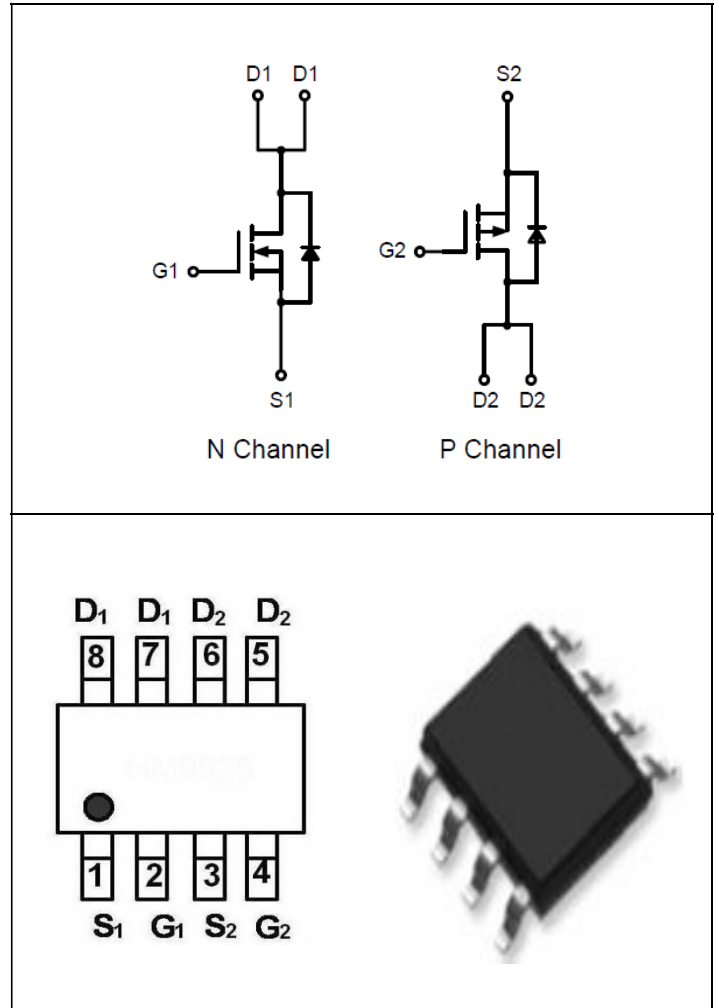
The CX4608 is the highest performance trench N-Ch and P-Ch MOSFETs With extreme high cell density, which provide excellent RDSON and gate charge for most of the synchronous buck converter applications.

GENERAL FEATURES

| Channel | BVDSS | RDSON | ID |
|---------|-------|-------|------|
| N-Ch | 40V | 18mΩ | 10A |
| p-Ch | -40V | 32 mΩ | -10A |

Application

- ◆ Drivers: Relays, lamps, Memories.
- ◆ Battery operated systems.
- ◆ CCFL Back-light Inverter



■ Absolute Maximum Ratings ($T_A=25^\circ\text{C}$ unless otherwise noted)

| Symbol | Parameter | Rating | | Unit |
|--------|--|------------|------|------|
| | | N-Ch | P-Ch | |
| VDSS | Drain-Source Voltage | 40 | -40 | V |
| VGSS | Gate-Source Voltage | ±20 | ±20 | |
| ID | Continuous Drain Current ,(VGS=10V) | 10 | -10 | A |
| IDP | Drain Current (Pulse) | 40 | -40 | A |
| TJ | Maximum Junction Temperature | -55 to 150 | | °C |
| TSTG | Storage Temperature Range | -55 to 150 | | |
| PD | Maximum Power Dissipation ($T_a=25^\circ\text{C}$) | 2.5 | 2.8 | W |