



CX66XXAX

60V/150mA/2uA I_Q /Fast Transient
High PSRR Linear Voltage Regulator

■ Description

The CX66XXAX series is a high input voltage (60V), low quiescent current, High PSRR linear regulator (LDO) able to provide 150mA load current.

The LDO features very fast response against line voltage transient and load current transient, and ensures no overshoot voltage during the LDO start up and short circuit recovery.

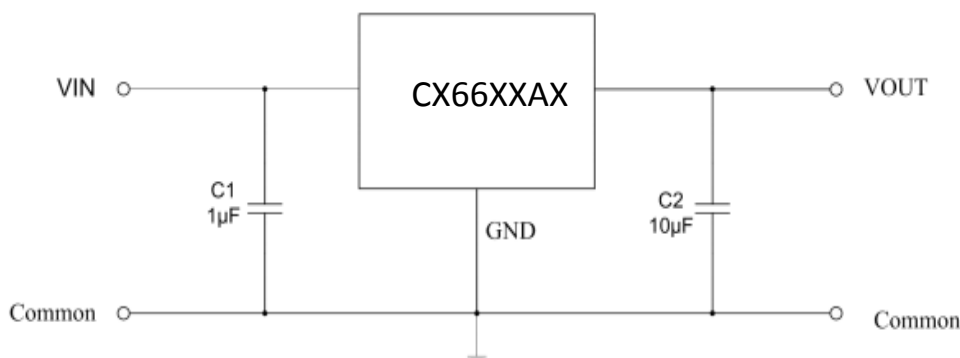
The device features integrated short-circuit and thermal shutdown protection.

The device is available with fixed output voltages of 3.0V, 3.3V, 3.6V and 5.0V, and available in SOT23 and SOT89 packages.

■ Application

- Battery-powered equipment
- Smoke detector and sensor
- Micro controller Applications
- Home Appliance

■ Application Circuits



■ Features

- Low Quiescent Current: 2uA
- High Input Voltage Rating: Up to 80V
- Output Current: 150mA
- High PSRR: 70dB at 1Khz
- Dropout Voltage:
70mV@10mA
700mV@100mA
- Fixed Output Voltages:
3.0V, 3.3V, 3.6V and 5.0V
- High-accuracy Output Voltage: $\pm 2\%$
- Good Transient Response
- Integrated Short-Circuit Protection
- Integrated Thermal Protection
- Available Packages: